

www.dieci.com



DIECI



Dieci S.r.l.
Via E. Majorana, 2-4
42027 - Montecchio Emilia (RE) ITALY
Tel. +39 0522 869611
Fax +39 0522 869798
E-mail: info@dieci.com

SAMSON



45.8



75.10

PERFORMANCE	45.8	75.10
Maximum capacity on outriggers (kg)	-	7.500
Maximum capacity on tires (kg)	4.500	7.200
Maximum lifting height (m)	7,90	9,65
Maximum horizontal outreach (m)	4,45	5,40
Outreach at maximum height (m)	0,30	0,70
Fork swivelling angle	134°	134°
Pull-out force (daN)	5.700	8.750
Towing force (daN)	7.300	8.400
Maximum climb angle	40%	40%
Total weight empty (kg)	8.800	12.100
Max speed (km/h) *	30**	30**

* = refers to wheels with maximum admissible diameter (** On request 40 Km/h)

BOOM	45.8	75.10
	Times: empty (in seconds)	
Lifting	13,0	15,1
Descent	8,9	9,9
Extension	6,8	10,4
Retraction	3,8	4,1
Forward swivelling	3,3	4,6
Reverse swivelling	2,0	2,0

Patented compensation system

ENGINE	
Model:	FPT
Maximum power kW (hp):	93 (127)
Revolutions per minute (rpm):	2200
Operation:	4-stroke diesel
Injection:	Direct mechanical
Number and arrangement of cylinders:	4, vertical in line
Displacement (cm ³):	4485
Exhaust gas after treatment system	Stage 3A / Tier 3
	Aftercooler turbo compressor
	Liquid cooling system

HYDRAULIC SYSTEM	
Gear pump for power steering and services	
Max flow rate (l/1'):	130
Max. operating pressure (bar):	250
Accessories control with hydraulic coupler with quick couplings on boom head	

DIFFERENTIAL AXLES	
Steering axles: 2, with 4 planetary reduction gears	
Type of steering: 4 wheels / transversal / 2 wheels	
Service braking: oil bath on the 4 wheels with double hydraulic system and servo brake	
Negative action parking brake	

REFUELLING (Litres)	45.8	75.10
Hydraulic system (total)	155	160
Diesel tank	105	105

OPTIONALS AND ACCESSORIES

A/C ; Water Heaters; Seat pneumatic suspension; Work light on the cab and on the boom; Quick coupling for accessories; Radio; Anti-theft system; Glass protection.

(For further customizations, contact your local dealer)

TRANSMISSION

Hydrostatic with variable displacement pump.

Hydraulic engine with continuous automatic adjustment

Electro - hydraulic reversing actuated even with vehicle in motion

Servocontrolled 2-speed gearbox.

Pedal inching control for controlled forward movement

DEVICES AS PER STANDARD

ROPS - FOPS approval, suspension on silent-blocks, soundproofing, front and rear wiper with washer, ventilation and heating, roof and openable rear glass, door with electric window, seat with safety seat belt, radio pre-arrangement, adjustable steering wheel (height and inclination). Instrumentation: charging indicator, tachometer, water temperature gage, fuel level gage, engine water and oil temperature, LCD display, digital speedometer, hour meter, clock.

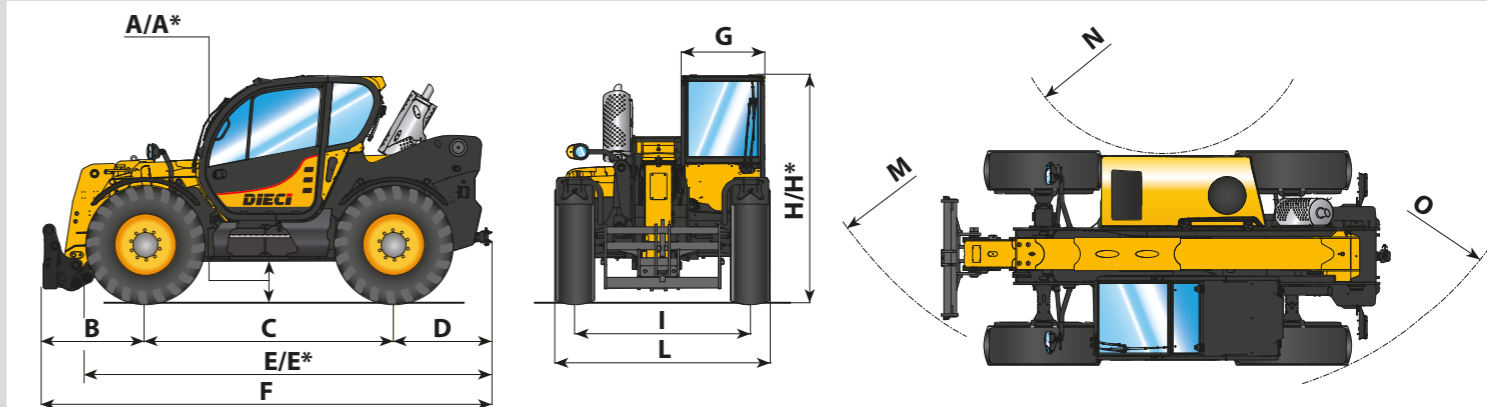
Hazardous movements stopping in case of overload, starting only with gear in neutral, running only with driver on board, automatic parking brake with the engine off. Fork block. Rear view mirror

TYRES	45.8	60.9 - 60.9 VS 65.8 - 65.8 VS	75.10
Tyres	405/70x20"	18-22.5"	18-22.5"
Alternative	405/70x24"	17,5-25"	18R22.5"
Alternative	18-22.5"	500/70R24"	-
Alternative	18R22.5"	-	-

DIMENSIONS	45.8	75.10
A/A*	440/480*	440
B	1480	1630
C	2600	2950
D	860	1330
E/E*	4000/4050*	4820
F	4940	5910
G	940	940
H/H*	2460/2500*	2490
I	1910	1920
L	2310	2380
M	4080	4730
N	1260	1700
O	3920	4400

Measurements expressed in millimetres

(*) = Measurements referring to optional wheels



(*) = Measurements referring to optional wheels

