

www.dieci.com



DIECI



Dieci S.r.l.
Via E. Majorana, 2-4
42027 - Montecchio Emilia (RE) ITALY
Tel. +39 0522 869611
Fax +39 0522 869798
E-mail: info@dieci.com



35.7

40.13

RUNNER

| PERFORMANCE | 35.7 | 40.13 |
|---------------------------------|-------|--------|
| Maximum capacity (kg) | 3.500 | 4.000 |
| Maximum lifting height (m) | 7,30 | 12,40 |
| Maximum horizontal outreach (m) | 3,85 | 8,75 |
| Outreach at maximum height (m) | 0,00 | 1,40 |
| Fork swivelling angle | 134° | 134° |
| Pull-out force (daN) | 5.700 | 5.700 |
| Towing force (daN) | 7.300 | 7.300 |
| Maximum climb angle | 40% | 40% |
| Total weight empty (kg) | 8.020 | 10.420 |
| Max speed (km/h) * | 30** | 30** |

* = referred to wheels having the maximum allowable diameter
(** On request 40 Km/h)

| BOOM | 35.7 | 40.13 |
|---------------------------------|------|-------|
| Times empty (in seconds) | | |
| Lifting | 10,0 | 10,0 |
| Descent | 5,9 | 5,9 |
| Extension | 6,0 | 18,6 |
| Retraction | 3,3 | 13,6 |
| Forward swivelling | 3,3 | 3,3 |
| Reverse swivelling | 2,1 | 2,1 |

Patented compensation system

| ENGINE | |
|--------------------------------------|-----------------------------------|
| Model: | FPT – NEF – TIER3A |
| Maximum power kW(HP) @ rpm: | 93(127) @ 2200 |
| Injection: | Direct mechanical |
| Operation: | 4-stroke diesel |
| Number and arrangement of cylinders: | 4, vertical in line |
| Intake: | Turbo compressor with aftercooler |
| Displacement (cm ³): | 4.485 |
| Cooling system: | liquid |

OPTIONALS AND ACCESSORIES
 A/C ; Water Heaters; Seat pneumatic suspension; Work lights on the cab and on the boom; Quick coupling for accessories; Radio; Anti-theft system; Glass protection; LED work lights.
 (For further customizations, contact your local dealer)

TRANSMISSION
 Hydrostatic with variable displacement pump.
 Hydraulic engine with continuous automatic adjustment
 Electro - hydraulic reversing actuated even with vehicle in motion
 Servocontrolled 2-speed gearbox.
 Pedal inching control for controlled forward movement

DEVICES AS PER STANDARD
 ROPS - FOPS approval, suspension on silent-blocks, soundproofing, front and rear wiper with washer, ventilation and heating, roof and openable rear glass, door with electric window, seat with safety seat belt, radio pre-arrangement, adjustable steering wheel (height and inclination). Instrumentation: charging indicator, tachometer, water temperature gage, fuel level gage, engine water and oil temperature, LCD display, digital speedometer, hour meter, clock.
 Hazardous movements stopping in case of overload, starting only with gear in neutral, running only with driver on board, automatic parking brake with the engine off. Fork block. Rear view mirror

Only on the following models: 40.13

Outriggers with independent hydraulic tipping, outriggers lock with raised boom.

| TYRES | |
|-------------|------------|
| Tyres | 405/70x20" |
| Alternative | 405/70x24" |
| Alternative | 18-22.5" |
| Alternative | 18R22.5" |

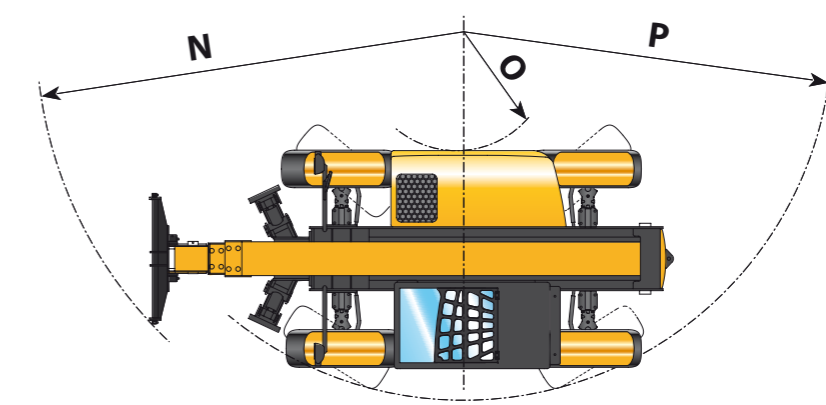
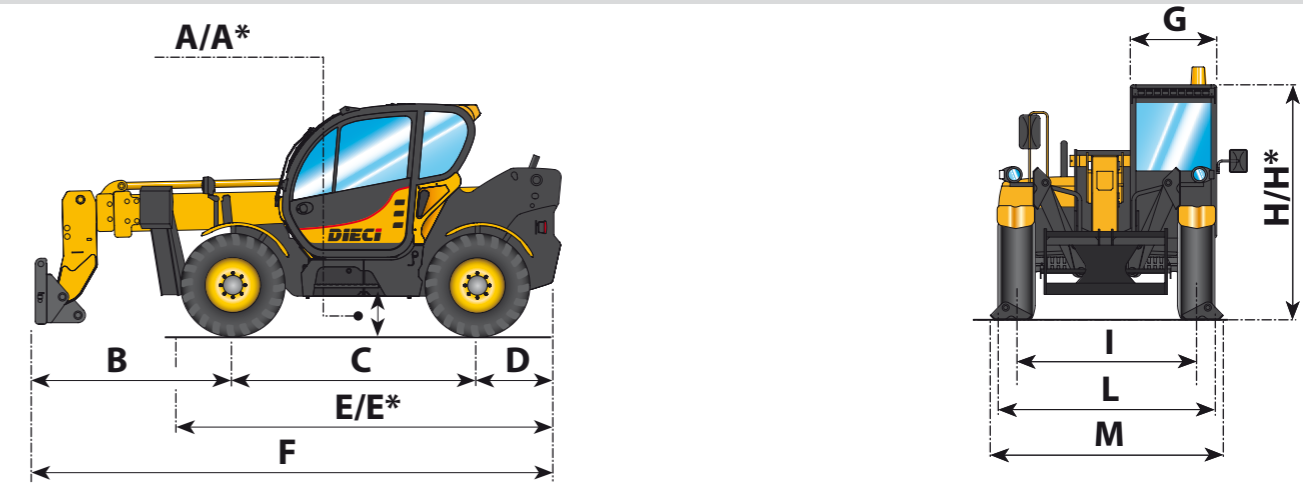
| HYDRAULIC PLANT | |
|--|-----|
| Gear pump for power steering and services | |
| Max flow rate (l/1') | 130 |
| Max. operating pressure (bar): | 250 |
| Accessories control with hydraulic coupler with quick couplings on boom head | |

DIFFERENTIAL AXLES
 Steering axles: 2, with 4 planetary reduction gears
 Type of steering: 4 wheels / transversal / 2 wheels
 Service braking with oil bath on the 4 wheels with double hydraulic system and servo brake
 Negative action parking brake

| REFUELLING (Litres) | 35.7 | 40.13 |
|-------------------------|------|-------|
| Hydraulic plant (total) | 155 | 168 |
| Fuel tank | 105 | 105 |

| DIMENSIONS | 35.7 | 40.13 |
|------------|------------|------------|
| A/A* | 440/480* | 440/480* |
| B | 1180 | 2110 |
| C | 2600 | 2600 |
| D | 860 | 880 |
| E/E* | 4000/4050* | 4080/4130* |
| F | 4640 | 5590 |
| G | 940 | 940 |
| H/H* | 2460/2500* | 2460/2500* |
| I | 1910 | 1910 |
| L | 2310 | 2320 |
| M | N.A. | 2480 |
| N | 3930 | 4550 |
| O | 1260 | 1260 |
| P | 3920 | 3920 |

Measurements expressed in millimetres
 A* - E* - H* = Measurements referring to optional wheels



A* - E* - H* = Measurements referring to optional wheels

